



Serve-over VELVET L STUDIO



Epta S.p.A. participates in the ECC programme for:  
 Refrigerated display cabinets (RDC). Check ongoing validity  
 of certificate online: [www.eurovent-certification.com](http://www.eurovent-certification.com)  
 or using: [www.certiflash.com](http://www.certiflash.com)



Product categories



Technical features

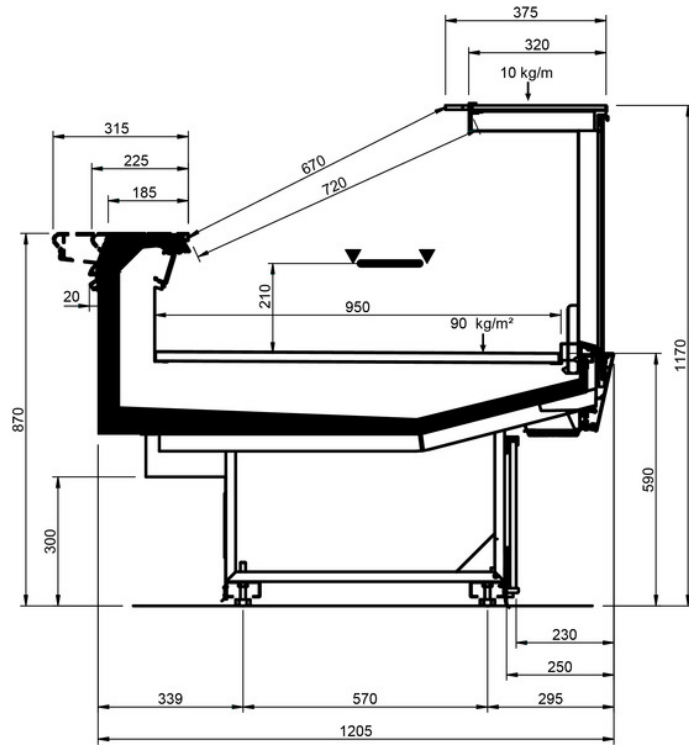




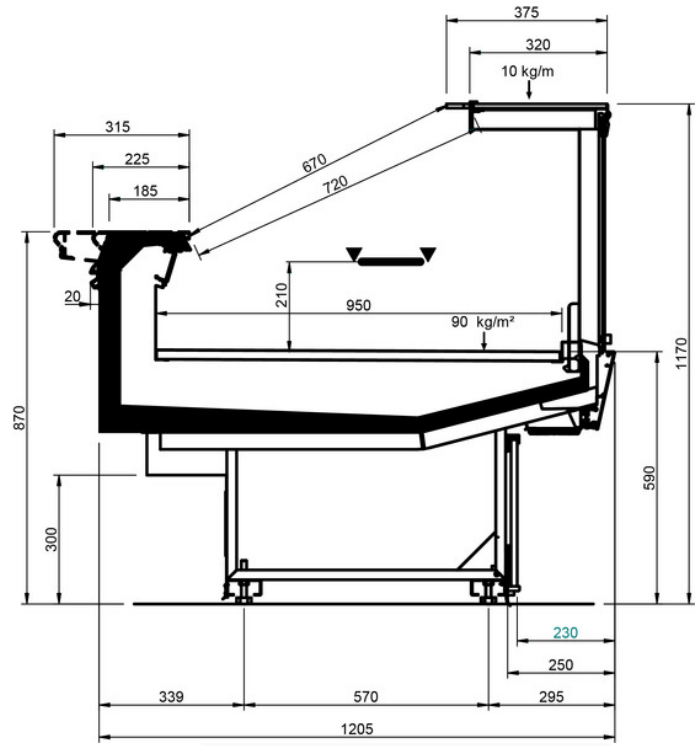
VELVET L STUDIO									
Length mm		937	1250	2500	3750	MAA 90°	MAA 45°	MAC 45°	
VELVET L STUDIO	RDB	•	•	•	•				
	RDA	•	•	•	•	•	•		
	WO	•	•	•	•		•	•	
	RCB	•	•	•	•	•	•	•	
	RCA	•	•	•	•	•	•	•	
	LS	•	•	•	•	•	•	•	
Display area m2		0.95							
Loading area m2		1.21							
End thickness mm		50.00							



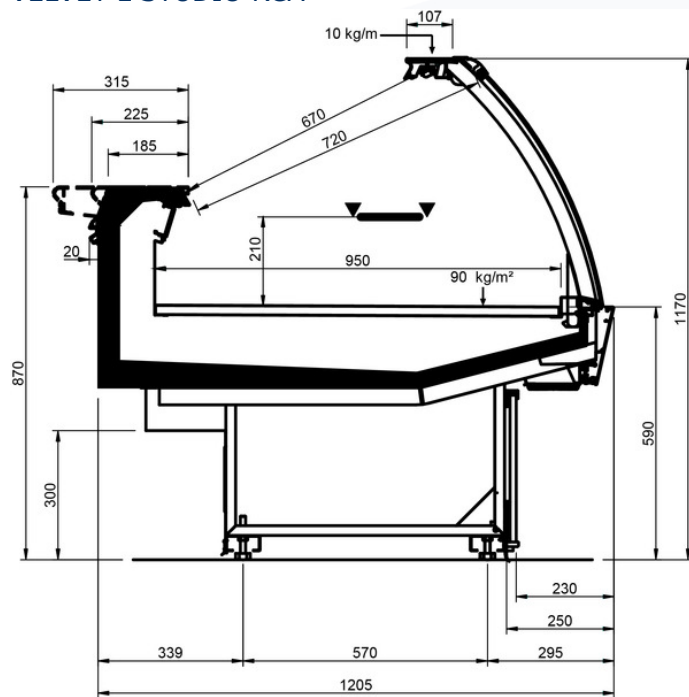
VELVET L STUDIO RBD



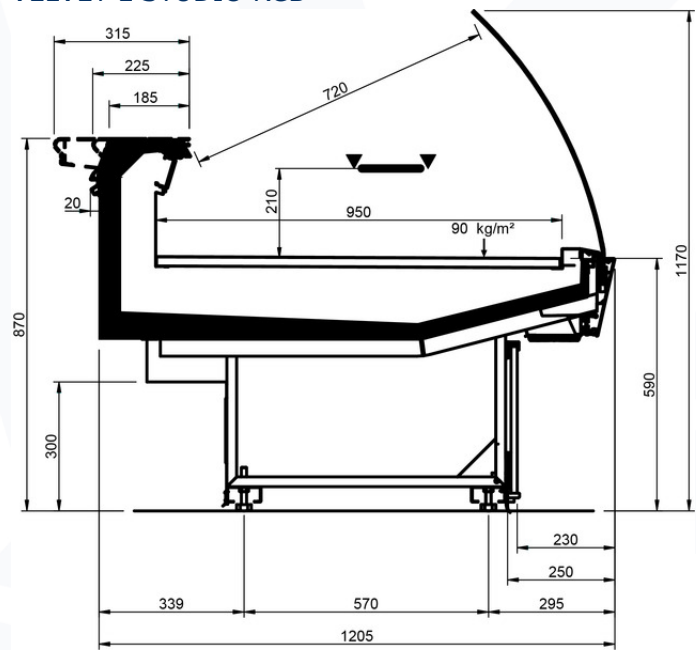
VELVET L STUDIO RDA



VELVET L STUDIO RCA

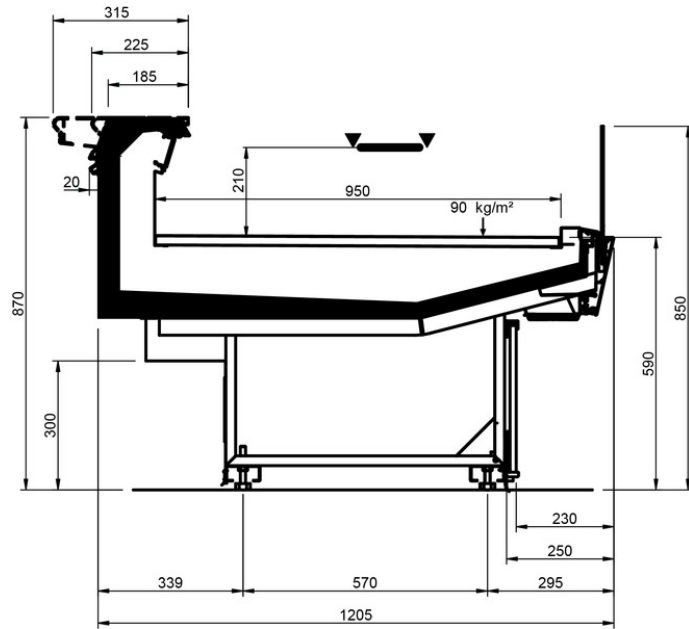


VELVET L STUDIO RCB

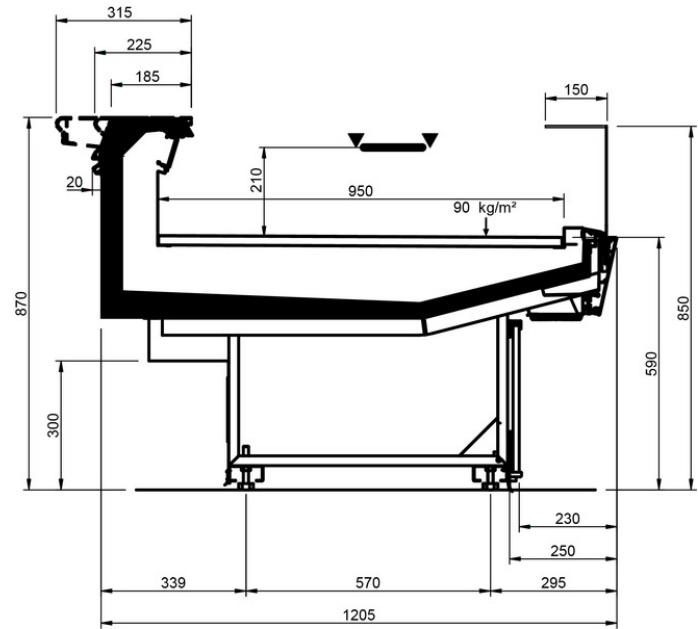




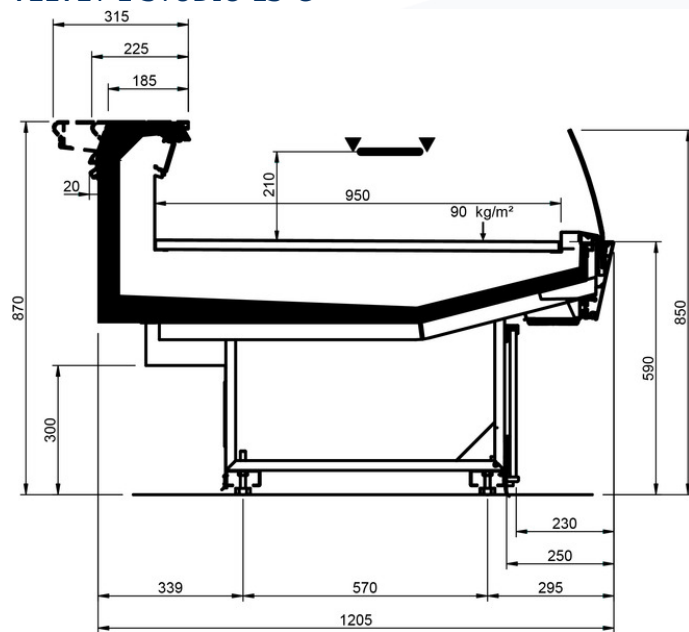
VELVET L STUDIO LS-D



VELVET L STUDIO LS-P



VELVET L STUDIO LS-C





## Legend

 Meat	 Chicken	 Fish	 Pre-packed fish
 Delicatessen	 Cheese	 Dairy products	 Gastronomy
 Pastries	 Pre-packed fruit and vegetables	 Fruits and Vegetables	 Sandwiches
 Drinks	 Pizza	 Bread	 Frozen food and ice cream
 Off-cycle defrost	 Electric defrost	 Hot-gas defrosting system	 Manual defrost
 Ventilated	 Static	 Incorporated condensing unit	 Remote condensing unit
 Bagnomaria	 Ceramic glass	 Ice	 VSD Inverter technology
 LED lighting	 Zero C doors	 High efficiency fans	 R290 Propane refrigerant gas (R290)
 R134a R-134a - 400V/3PH/50Hz	 R404A R404A - 400V/3PH/50Hz	 R744 R744 - 400V/PH/50Hz	 Compressor hermetic reciprocating
 Hermetic scroll compressor	 Semi-hermetic reciprocating compressor	 VSD Inverter technology	 External installation
 Machinery room	 Soundproof housing	 On board condenser	 Remote condenser
 DUAL Medium & Low temperature	 Technokleen	 Thin Tech	 EB